

Facil, Arc

Articulated arm automations
for swing gates

ENG



Advanced entrance technology

Facil - Arc

The ideal solution for complex applications

The most appropriate words to describe Facil and Arc automations are ease of use and flexibility.

Irreversible electromechanical automations for swing gates, they are the ideal solution for heavy duty applications. Quiet and sturdy, they are easy to install and can be connected to any application, however complex, such as wings supported by very large or out-of-plumb pillars.

Facil and Arc have been designed to ensure ease of installation and connection, as well as suitability to use with different types of motor and its practicality.

For both actuators, the ABS guard ensures a good weather resistance and boasts high quality and elegant finishes, simple and clean lines, and perfectly blends to any type of entrance.

Facil has also been designed to accommodate a cord-operated release system and a reduction unit disconnected indication microswitch. The automation comes complete with adjustable mechanical stops.



Facil



Arc

Technical specifications

Description	FACIL 3H	FACIL 3EH	ARC BH	ARC 1BH
Electromechanical actuator	irreversible for up to 2.3 m wide wing	irreversible for up to 2.3 m wide wing	irreversible for up to 2.5 m wide wing	irreversible for up to 5 m wide wing
Travel control system	rotary limit switch (optional)	rotary limit switch (optional)	rotary limit switch (optional)	rotary limit switch (optional)
Maximum capacity	200 kg x 2.3 m 300 kg x 1 m	200 kg x 2.3 m 300 kg x 1 m	200 kg x 2 m 150 kg x 2.5 m	500 kg x 3 m 250 kg x 5 m
Duty class	3 - heavy	3 - heavy	4 - heavy	4 - heavy
Intermittent operation	S2 = 30 min S3 = 50%	S2 = 30 min S3 = 50%	S2 = 30 min S3 = 50%	S2 = 30 min S3 = 50%
Power supply	24 V=	24 V=	24 V=	24 V=
Insulation class	class 3	class 3	class 3	class 3
Input	6 A	6 A	3 A	12 A
Torque	200 Nm	200 Nm	150 Nm	300 Nm
Opening time	12÷32 s/90°	12÷32 s/90°	15÷18 s/90°	15÷30 s/90°
Actuator maximum opening	110°	110°	130°	130°
Release system for manual opening	key operated	key operated	key operated	key operated
Operating temperature	-20°C / +55°C (-35°C / +55°C with NIO enabled)	-20°C / +55°C (-35°C / +55°C with NIO enabled)	-20°C / +55°C (-35°C / +55°C with NIO enabled)	-20°C / +55°C (-35°C / +55°C with NIO enabled)
Protection rating	IP 54	IP 54	IP 54	IP 54
Product dimensions (mm)	188x285x332	188x285x332	374x130x150	374x130x150
Control panel	VIVA H	E2HFC (built in)	E2HAR VIVA H	VIVA H

No problem in case of power failure

The key operated, easily accessible release door is built into the front of the cast aluminium casing.

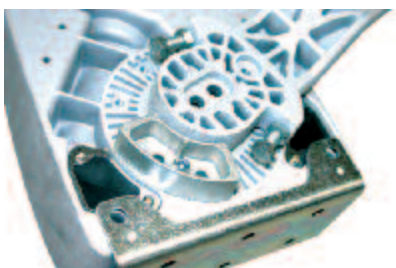


The Deb 04 device, which is easily operated with a cord, allows the automation to be remotely controlled without opening the door.



Carefully designed with safety in mind

The shape of the articulated arm and its connection to the casing have been designed to avoid any shearing problems.



Facil is fitted with built in and adjustable open-close mechanical stops. A limit switch unit can be installed to supply visual indicators or to stop the wing.

Ready and easy to install

An industry first, Facil features a built in electronic panel.

In the 230 V AC version, the E2 control panel is built in and can easily be removed, which leads to obvious advantages during the installation stage and any maintenance operations carried out on the automation.

After removing the guard, the see through control panel enclosure can be taken out to reveal the controls, and opened with a simple action to access all electrical connections.

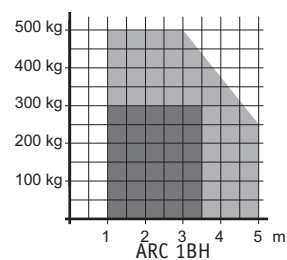
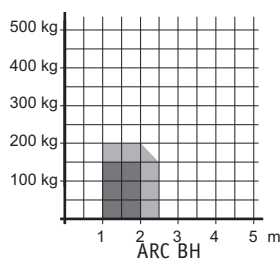
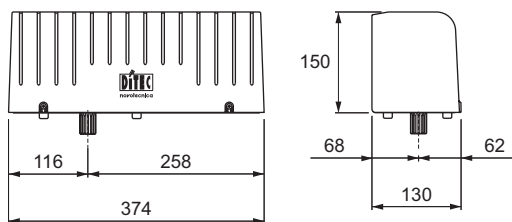


Installation options

Facil allows for the development of a basic system ready for extension according to further customer requirements.

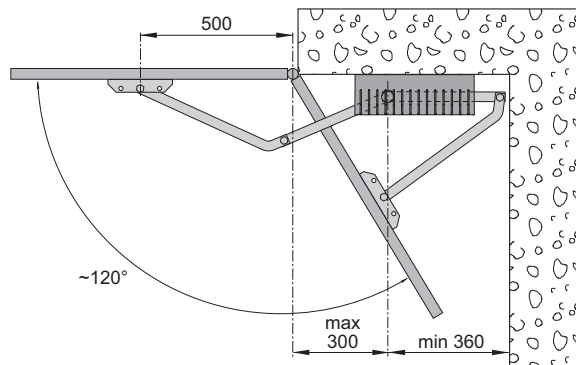
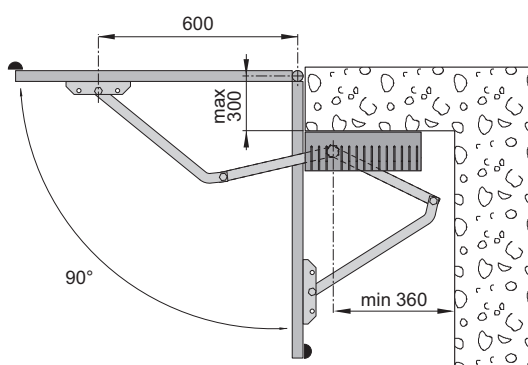
Operating data diagrams

Arc - Dimensions

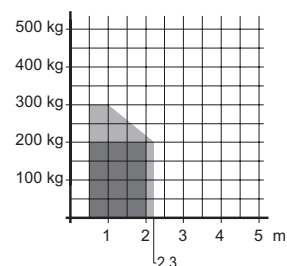
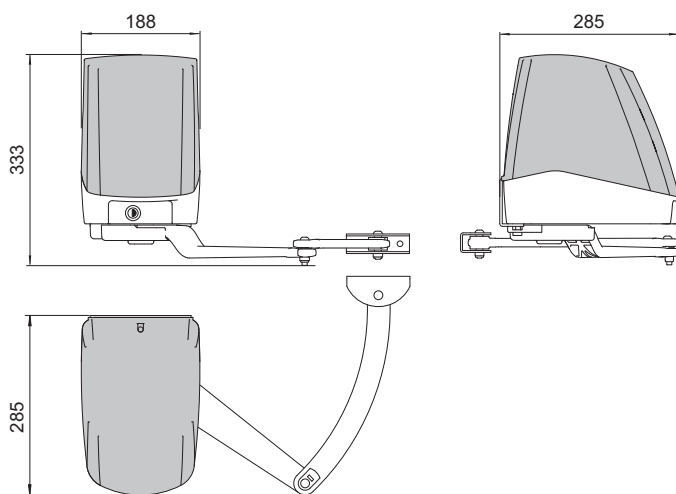


Recommended use
 Recommended use
 Operation limit
 Operation limit

Arc - Examples of installation

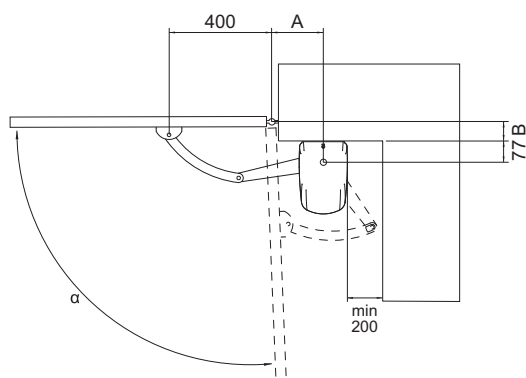


Facil - Dimensions




Recommended use
 Operation limit

Facil - Examples of installation



		A (mm)								
		120	130	140	150	160	170	180	190	200
B (mm)	0	90°	90°	95°	95°	100°	100°	105°	105°	110°
	50	90°	90°	95°	95°	95°	95°	95°	95°	95°
	100	90°	90°	90°	90°	90°	90°	90°	90°	/
	150	90°	90°	90°	90°	90°	90°	90°	/	/
	200	90°	90°	90°	90°	90°	/	/	/	/

▶ System and control panel main functions

	FACIL 3H ARC BH ARC 1BH	FACIL 3EH ARC BH
Description:	VIVA H	E2HFC - E2HAR
Control panel	for 1 or 2 24 V= motors	for 1 or 2 24 V= motors with built-in radio
Mains power supply	230 V~ / 50-60 Hz	230 V~ / 50-60 Hz
Batteries (ensure gate operation in the event of power cuts)	∕ (optional)	∕ (optional)
Energy saving 	reduced consumption when in use	reduced consumption when in use
Number of motors	1 or 2	1 or 2
Motor power supply	24 V= / 2 x 12 A	24 V= / 2 x 6 A (Facil) 24 V= / 2 x 4.5 A (Arc)
Accessories power supply	24 V= / 0.5 A	24 V= / 0.5 A
Electrically operated lock	24 V= / 1.2 A	24 V= / 1.2 A
Flashing light	24 V	24 V
Gate open warning light (warns the user if gate is not fully closed)	analogue	analogue
Courtesy light	24 V	24 V
Limit switch provision	∕	∕
Encoder (to control speed and deceleration)	virtual encoder	virtual encoder
Force adjustment control	automatic	display
ODS - Obstruction detection system (causes the gate to stop or reverses operation when an obstruction is detected)	∕	∕
Speed adjustment	∕	display
Braking/slow down control (ensures best approach)	∕	display
Operation time adjustment	∕	display
Open control	∕	∕
Partly open control	∕	∕
Close control	∕	∕
Automatic timed close control	∕	∕
Inching control	∕	∕
Hold-to-run control	∕	∕
Stop safety device	∕	∕
Reverse operation safety device	∕	∕
Safety Test Facility (for self testing safety devices)		∕
NIO - Antifreeze system (for maintaining motor efficiency even at very low temperatures)	∕	∕
Soft start	∕	∕
Operating temperature	-20°C / +55°C (-35°C / +55°C with NIO enabled)	-20°C / +55°C (-35°C / +55°C with NIO enabled)
Protection rating	IP 55	
Product dimension (mm)	238x357x120	

▶ Common accessories

- ▶ Key operated handle with 5 m remote release cord
- ▶ Limit switch unit
- ▶ Internal and external battery for VIVA H control panel

▶ Arc accessories

- ▶ Gear motor side fastening plate
- ▶ Adjustable stop

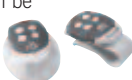
Accessories

The wide range of DITEC accessories offers access system fitted with several types of control and monitoring devices.



GOL 4 transmitters

Featuring four channels and fixed code and cloning option, or rolling code. Certified and compliant with current standards. Transmitter mountings: smartly designed, they can be fitted on any type of surface: from the car dashboard to a wall in the garage or in the house. The remote control can be stored in its practical housing and is always ready for use.



Xel 2 and Lab 3 infrared sensors

These sensors allow the automation to be operated with the highest levels of safety. Can be mounted directly on a wall or on its own mounting. Modulated infrared beam. The sensors are also suitable for applications where space is at a premium.



Xel 5 key operated selector switch

Fitted with a tamper proof or vandal resistant device. Can be mounted directly on a wall or on its own mounting.



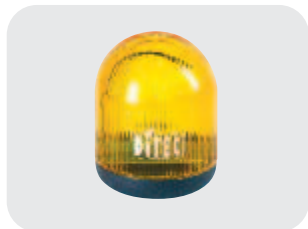
Sof safety edges

These are fitted to all entrance control systems to ensure maximum safety during opening and closing operations.



Lan 4 digital combination systems

With digital vandal resistant combination keyboard. Up to 8 digit PIN number.



Lamp H

24 V flashing light with flashing operation controlled from the control panel.



GOL 4M keyboard operated transmitters, with digital combination

Coded four-channel control. Allows radio controlled motorised gates to be opened by entering a code. Wall mounted.



Lan 7 control system with proximity control

Remotely operated identification system featuring TRANSPONDER technology. Allows identification without the need for a touch-controlled device.

When building the system, only use DITEC accessories and safety devices.

DITEC automations all feature CE marking and are designed and built in compliance with the safety requirements of the Machinery Directive (2006/42/EC), of the Electromagnetic Compatibility Directive (2004/108/EC) and of the Low Voltage Directive (2006/95/EC) and of other Directives, laws, specific standards for special products and situations.

DITEC S.p.A. reserves the right to make changes which may improve the products. DITEC S.p.A. always strives to improve its products. For this reason, the technical details featured in this catalogue are not binding.

The pictures shown in this leaflet were taken with the consent of those concerned or in public locations.

Further information can be found in the Technical Manuals available at the website: www.ditec.it



DITEC S.p.A. Via Mons. Banfi, 3 21042 Caronno P.lla (VA) Italy Tel. +39 02 963911 Fax +39 02 9650314
www.ditec.it ditec@ditecva.com

DITEC BELGIUM LOKEREN Tel. +32 9 3560051 Fax +32 9 3560052 www.ditecbelgium.be **DITEC DEUTSCHLAND** OBERURSEL
Tel. +49 6171 914150 Fax +49 6171 9141555 www.ditec-germany.de **DITEC ESPAÑA S.L.U.** ARENYS DE MAR Tel. +34 937958399
Fax +34 937959026 www.ditecespana.com **DITEC FRANCE** MASSY Tel. +33 1 64532860 Fax +33 1 64532861 www.ditecfrance.com
DITEC GOLD PORTA ERMESINDE-PORTUGAL Tel. +351 22 9773520 Fax +351 22 9773528/38 www.goldporta.com **DITEC SWITZERLAND**
BALERNA Tel. +41 848 558855 Fax +41 91 6466127 www.ditecswiss.ch **DITEC ENTREMATIC NORDIC** LANDSKRONA - SWEDEN
Tel. +46 418 514 00 Fax +46 418 513 55 www.ditecentrematicnordic.com **DITEC TURCHIA** ISTANBUL Tel. +90 21 28757850
Fax +90 21 28757798 www.ditec.com.tr **DITEC AMERICA** ORLANDO-FLORIDA-USA Tel. +1 407 8880699 Fax +1 407 8882237
www.ditecamerica.com **DITEC CHINA** SHANGHAI Tel. +86 21 62363861/2 Fax +86 21 62363863 www.ditec.cn